



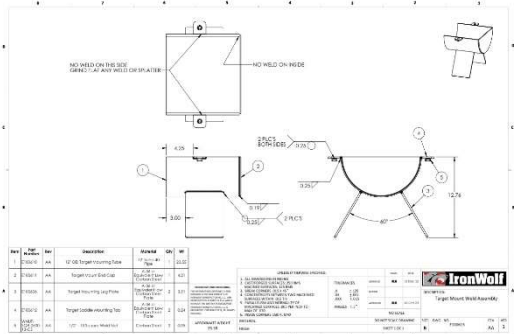
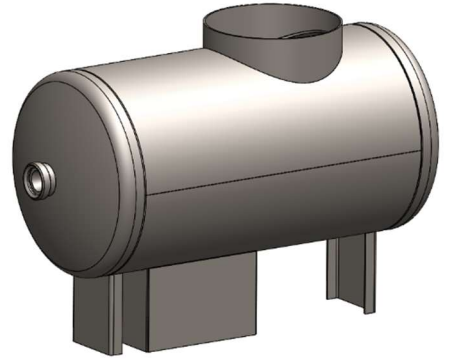
Equipment For Tough Terrain

Design and Fabrication

Have an idea? Need support to execute it? IronWolf's integrated engineering and manufacturing helps you take your idea from paper to reality. The following services provide support from start to finish or in individual stages:

- Engineered design
- CAD drawings
- Machining services
- Fabrication

IronWolf has provided quality results to a variety of clients on highly diverse projects including fences, signs, BBQ pits, and water tanks. Contact us today to discuss your project.



Proudly Made In the USA